

Shropshire SHR-N-SW



Classic 'slipper' bath

- Traditional slipper design
- Made from QUARRYCAST®
 - One piece casting of rare volcanic limestone and resin
 - Harder and more durable than acrylic
- Easy clean high gloss finish
- Exterior and feet can be painted
- 25 year guarantee

Shown with polished chrome ball & claw feet



Options to be Specified

Bath:

- **No tap holes**
Suitable for freestanding or wall mounted taps - or special order brassware requiring bespoke on-site drilling of holes.

Feet: (see feet page for more information)



White Metal

FT-SHR-WH



Polished Chrome

FT-SHR-PC



Polished Brass

FT-SHR-PB



Brushed Nickel

FT-SHR-BN



Polished Nickel

FT-SHR-PN



White QUARRYCAST®

FT-SHR-SW

Recommended Waste:

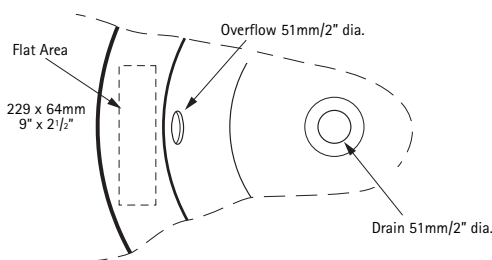
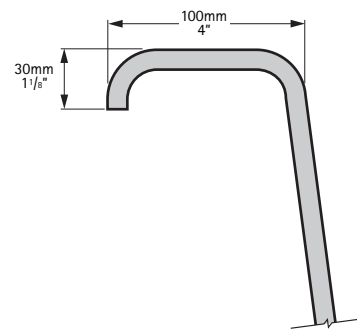
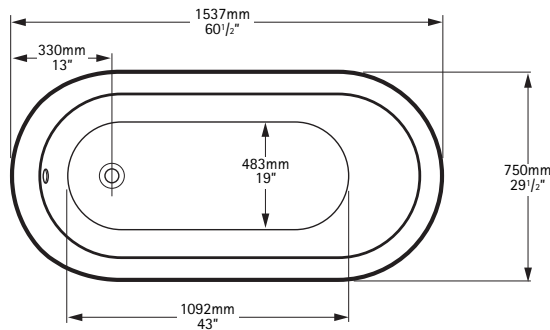
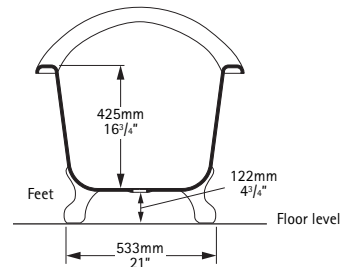
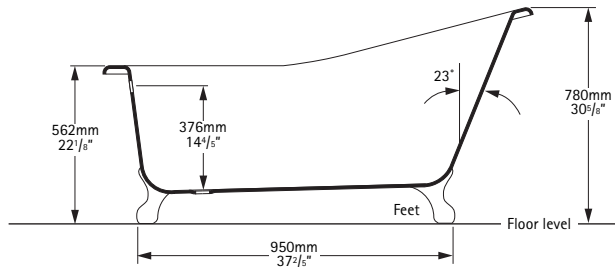
Universal overflow waste kit - KIT16C

Note: For product specifications please see over



Shropshire SHR-N-SW

Classic 'slipper' bath



General specifications for Shropshire bath

Installed size	1537mm x 750mm x 562-780mm
Weight	55kg
Weight with water	215kg
Litres to overflow	160 litres
Bathing well at sump	1092mm x 483mm
Bathing well at rim	1370mm x 590mm
Water depth to overflow	376mm

Notes

Refer to installation instructions supplied with bath for additional information. The feet supplied support sump of bath. No additional support required.

Fittings (taps & drain assembly) not included and must be ordered separately. If installing deck mounted brassware refer to 'drilling tap holes' instructions before installation.

Important

Dimension of fixtures are nominal and may vary within the range of tolerances established by ANSI standard A112.19.4M.

These measurements are subject to change or cancellation.

No responsibility is assumed for use of superseded or void leaflet.