



Onda Washplane® Corian®

Available Finishes

Cameo white Corian®
Glacier white Corian®

Assembly

Washplane® assembly includes;

- Stainless steel cantilever brackets
- Zinc plated steel mounting frame
- Stainless steel tray
- Stainless steel removable drainer
- Stainless steel fascia
- Stainless steel location saddles

Cleaning

Corian® - Clean with a mild detergent and a soft cloth.
For more stubborn marks including lime scale and soap build up,
a mild abrasive cleaner can be used with a soft cloth in wide
circular motions.

Recommended fittings and set up

Ulisse 5* 32 x 200 mm wall outlet

Ulisse 5* 25 X 200 mm wall outlet

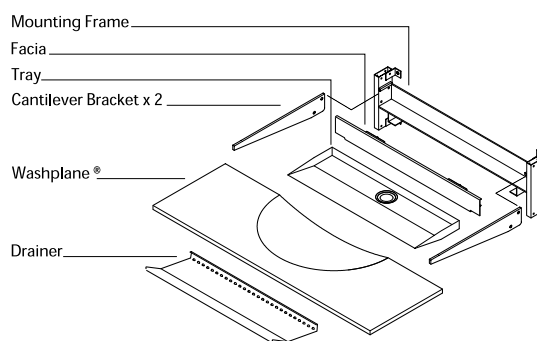
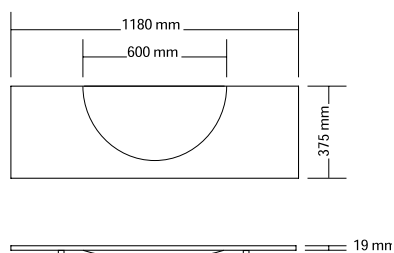
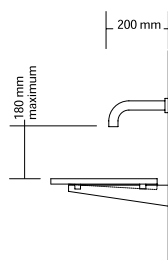
Please note - use a 200 mm wall outlet that uses 5-7 litres per
minute. The water must fall at a 90 degree angle, directly down
onto the Washplane®. A cavity wall is needed to house the
hardware and plumbing.

Important

This is not an installation guide.
Please contact OMVIVO for technical details.
Product specifications are subject to alteration without notice.

©OMVIVO Pty Ltd. 2001.

Assembly



design Joseph Licciardi

OMVIVO

Omviso Pty Ltd Schiavello Complex T: + 61 3 9339 8130
1 Sharps Road Tullamarine F: + 61 3 9330 8611
Victoria Australia 3043 info@omvivo.com

www.omvivo.com

Note: due to varying manufacturing methods, the dimensions illustrated here are nominal and subject to change.
Omviso has detailed, to the best of its ability, the most approximate measurement possible for each product
given the method of manufacturing used.



Onda Washplane® Corian® Double and Triple

Available finishes

Cameo white Corian®
 Glacier white Corian®

Assembly

Washplane® assembly includes;

- Stainless steel cantilever brackets
- Zinc plated steel mounting frame
- Stainless steel tray
- Stainless steel removable drainer
- Stainless steel fascia
- Stainless steel location saddles

Cleaning

Corian® - Clean with a mild detergent and a soft cloth.
 For more stubborn marks including lime scale and soap build up,
 a mild abrasive cleaner can be used with a soft cloth in wide
 circular motions.

Recommended fittings and set up

Ulisse 5* 32 x 200 mm wall outlet

Ulisse 5* 25 X 200 mm wall outlet

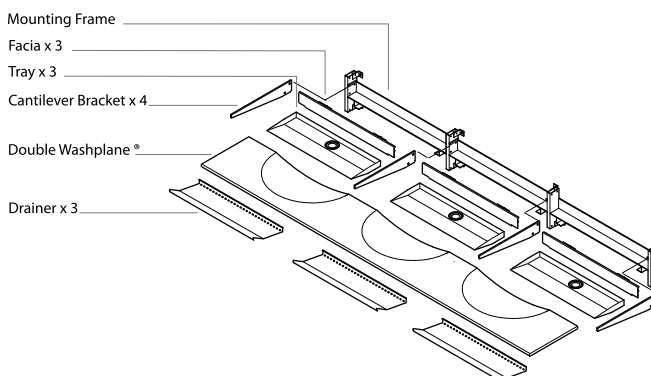
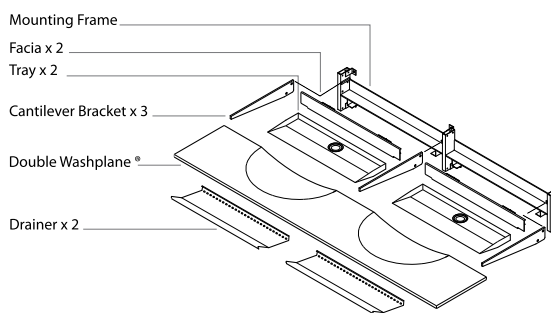
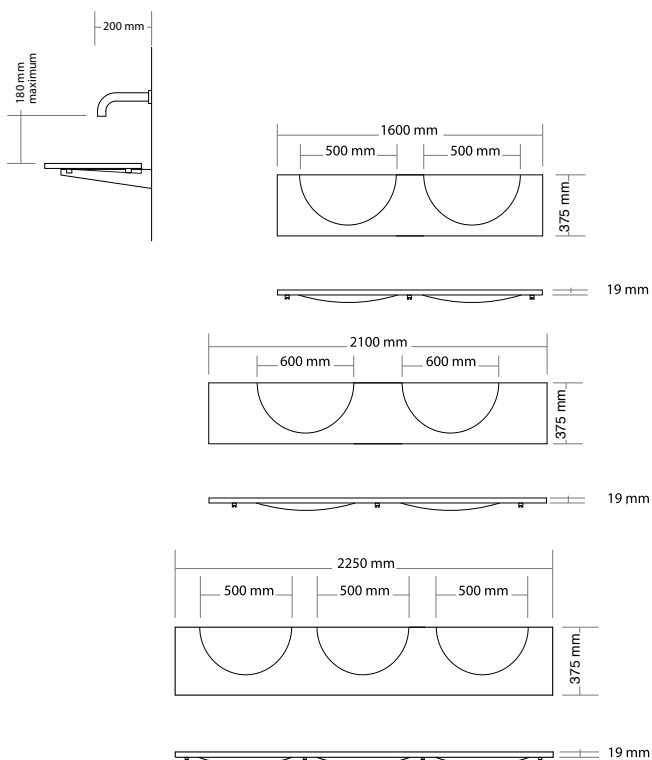
Please note - use a 200 mm wall outlet that uses 5-7 litres per
 minute. The water must fall at a 90 degree angle, directly down
 onto the Washplane®. A cavity wall is needed to house the
 hardware and plumbing.

Important

This is not an installation guide.
 Please contact OMVIVO for technical details.
 Product specifications are subject to alteration without notice.

©OMVIVO Pty Ltd. 2001.

Assembly



design Joseph Licciardi



Omviso Pty Ltd Schiavello Complex T: + 61 3 9339 8130
 1 Sharps Road Tullamarine F: + 61 3 9330 8611
 Victoria Australia 3043 info@omvivo.com

www.omvivo.com

Note: due to varying manufacturing methods, the dimensions illustrated here are nominal and subject to change.
 Omvivo has detailed, to the best of its ability, the most approximate measurement possible for each product
 given the method of manufacturing used.