



KL Cabinet Dark Oak Veneer

Available finishes

Dark oak veneer

Assembly

KL cabinet assembly includes;

- Cabinet body
- Large drawer
- Internal top drawer
- Soft close drawer mechanisms
- Steel wall mounting bracket

Cleaning

Clean with a mild, non acidic, non abrasive detergent and soft cloth. Finish by cleaning off detergents with a soft damp cloth and towel dry.

Recommended fittings and set up

KL vessel

Vessel shelves

The KL cabinet is designed to be wall mounted.

The KL cabinets are designed specifically to compliment the KL vessels and the vessel shelves.

Important

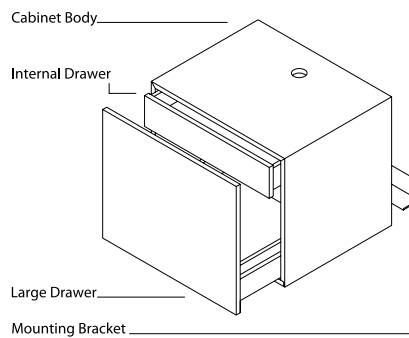
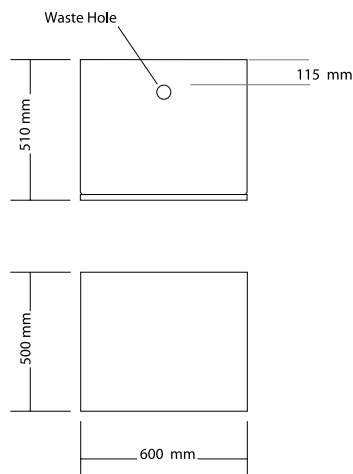
This is not an installation guide.

Please contact OMVIVO for technical details.

Product specifications are subject to alteration without notice.

©OMVIVO Pty Ltd. 1999.

Assembly



design Joseph Licciardi



Om vivo Pty Ltd Schiavello Complex T: + 61 3 9339 8130
1 Sharps Road Tullamarine F: + 61 3 9330 8611
Victoria Australia 3043 info@omvivo.com

www.omvivo.com

Note: due to varying manufacturing methods, the dimensions illustrated here are nominal and subject to change. Omvivo has detailed, to the best of its ability, the most approximate measurement possible for each product given the method of manufacturing used.



KL Cabinet Dark Oak Veneer with Corian® Door

Available finishes

Dark oak veneer with Cameo white Corian® door
Dark oak veneer with Glacier white Corian® door

Assembly

KL cabinet assembly includes;

- Cabinet body
- Large drawer
- Internal top drawer
- Soft close drawer mechanisms
- Steel wall mounting bracket

Cleaning

Corian® - Clean with a mild detergent and a soft cloth.

For more stubborn marks including lime scale and soap build up, a mild abrasive cleaner can be used with a soft cloth in wide circular motions. Do not clean near veneer with abrasive cleaner.

Veneer - Clean with a mild, non acidic, non abrasive detergent and soft cloth. Finish by cleaning off detergents with a soft damp cloth and towel dry.

Recommended fittings and set up

KL vessel

Vessel shelves

The KL cabinet is designed to be wall mounted.

The KL cabinets are designed specifically to compliment the KL vessels and the vessel shelves.

Important

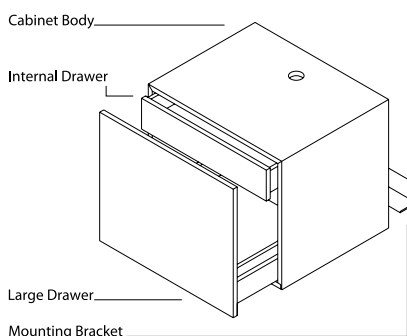
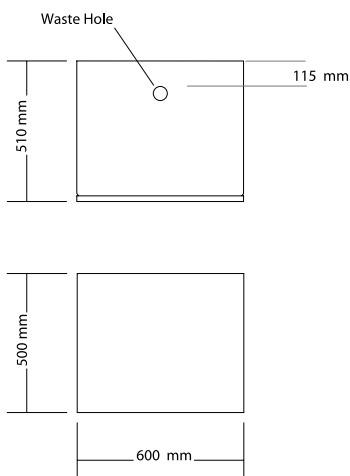
This is not an installation guide.

Please contact OMVIVO for technical details.

Product specifications are subject to alteration without notice.

©OMVIVO Pty Ltd. 1999.

Assembly



design Joseph Licciardi



Omivivo Pty Ltd Schiavello Complex T: + 61 3 9339 8130
1 Sharps Road Tullamarine F: + 61 3 9330 8611
Victoria Australia 3043 info@omvivo.com

www.omvivo.com

Note: due to varying manufacturing methods, the dimensions illustrated here are nominal and subject to change. Omivivo has detailed, to the best of its ability, the most approximate measurement possible for each product given the method of manufacturing used.



KL Cabinet Gunmetal Gloss Thermofoil

Available finishes

Gunmetal gloss thermofoil

Assembly

KL cabinet assembly includes;

- Cabinet body
- Large drawer
- Internal top drawer
- Soft close drawer mechanisms
- Steel wall mounting bracket

Cleaning

Thermofoil - Clean with a mild, non acidic, non abrasive detergent and soft cloth. Finish by cleaning off detergents with a soft damp cloth and towel dry.

Recommended fittings and set up

KL vessel

Vessel shelves

The KL cabinet is designed to be wall mounted.

The KL cabinets are designed specifically to compliment the KL vessels and the vessel shelves.

Important

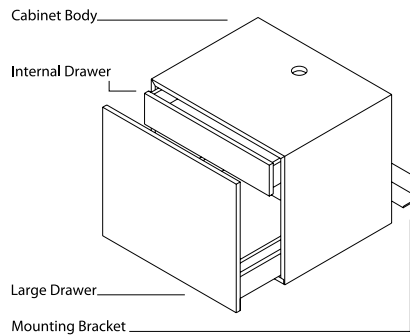
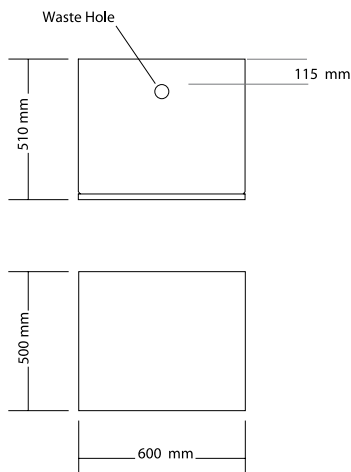
This is not an installation guide.

Please contact OMVIVO for technical details.

Product specifications are subject to alteration without notice.

©OMVIVO Pty Ltd. 1999.

Assembly



design Joseph Licciardi

OMVIVO

Omivivo Pty Ltd Schiavello Complex T: + 61 3 9339 8130
1 Sharps Road Tullamarine F: + 61 3 9330 8611
Victoria Australia 3043 info@omvivo.com

www.omvivo.com

Note: due to varying manufacturing methods, the dimensions illustrated here are nominal and subject to change. Omivivo has detailed, to the best of its ability, the most approximate measurement possible for each product given the method of manufacturing used.

edition two



KL Cabinet White Gloss Thermofoil

Available finishes

White gloss thermofoil

Assembly

KL cabinet assembly includes;

- Cabinet body
- Large drawer
- Internal top drawer
- Soft close drawer mechanisms
- Steel wall mounting bracket

Cleaning

Thermofoil - Clean with a mild, non acidic, non abrasive detergent and soft cloth. Finish by cleaning off detergents with a soft damp cloth and towel dry.

Recommended fittings and set up

KL vessel

Vessel shelves

The KL cabinet is designed to be wall mounted.

The KL cabinets are designed specifically to compliment the KL vessels and the vessel shelves.

Important

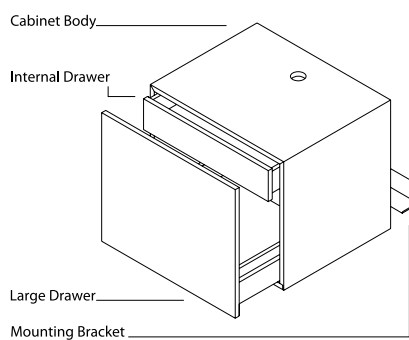
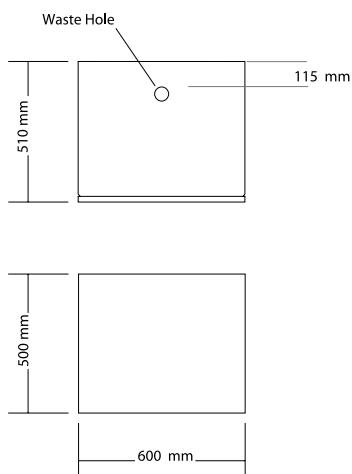
This is not an installation guide.

Please contact OMVIVO for technical details.

Product specifications are subject to alteration without notice.

©OMVIVO Pty Ltd. 1999.

Assembly



design Joseph Licciardi



Omviso Pty Ltd Schiavello Complex T: + 61 3 9339 8130
1 Sharps Road Tullamarine F: + 61 3 9330 8611
Victoria Australia 3043 info@omvivo.com

www.omvivo.com

Note: due to varying manufacturing methods, the dimensions illustrated here are nominal and subject to change. Omvivo has detailed, to the best of its ability, the most approximate measurement possible for each product given the method of manufacturing used.