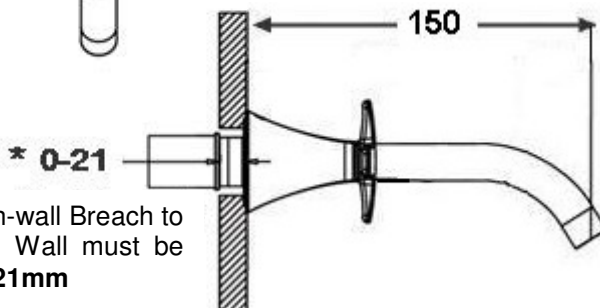
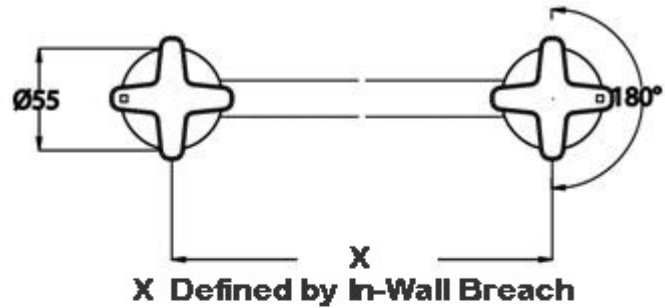
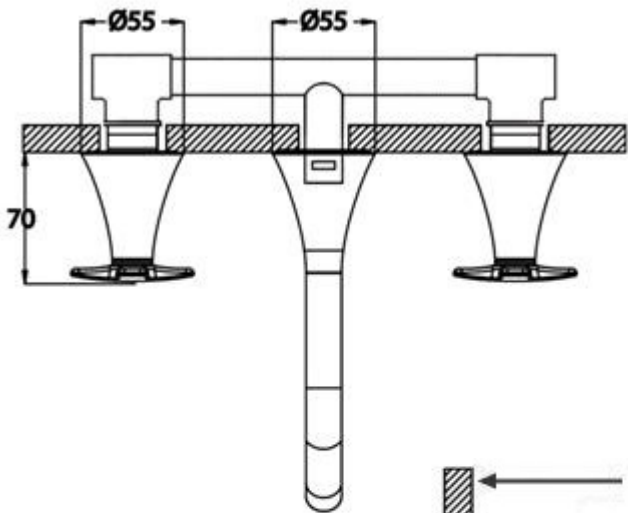




Flow Bath Set – Wall Mounted



TECHNICAL SPECIFICATIONS



* Note: Face of In-wall Breach to Face of Finished Wall must be **no greater than 21mm**

(For Installations where in-wall breach is proud of the finished wall – 5mm stackable trouble domes are available Code #111500)

PRODUCT NO: **106152**, Flow Wall-Mounted Bath Set – **150mm Reach**