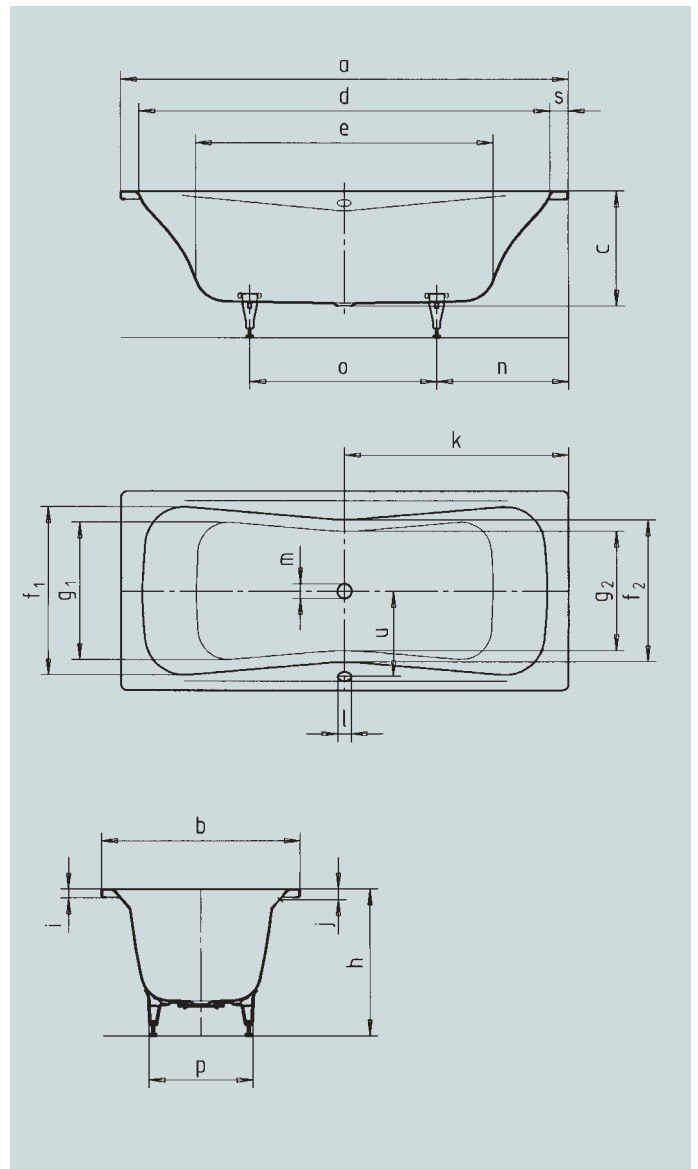


# DYNA DUO

- bathing with a friend: two identical back rests and centrally positioned outlet
- the high overflow allows the bathwater to be particularly deep
- classic four-cornered model



| Model no.  |                                 | 610         | 611            |
|--|---------------------------------|-------------|----------------|
| External length                                  | a                               | 1700        | 1800 mm        |
| External width                                   | b                               | 750         | 800 mm         |
| Depth  | c                               | 430         | 450 mm         |
| Internal length (top)                            | d                               | 1590        | 1660 mm        |
| <b>Internal length (bottom)</b>                  | <b>e</b>                        | <b>1100</b> | <b>1150 mm</b> |
| Internal width (top)                             | f <sub>1</sub> ; f <sub>2</sub> | 640; 550    | 690; 580 mm    |
| Internal width (bottom)                          | g <sub>1</sub> ; g <sub>2</sub> | 500; 380    | 490; 440 mm    |
| Height with feet                                 | h                               | 535-573     | 580-615 mm     |
| Height of rim                                    | i                               | 32          | 32 mm          |
| Distance top edge to centre of overflow hole     | j                               | 50          | 50 mm          |
| Distance tub edge (foot) to centre of drain hole | k                               | 850         | 900 mm         |
| Diameter of overflow hole                        | l                               | 52          | 52 mm          |
| Diameter of drain hole                           | m                               | 52          | 52 mm          |
| Distance foot end of tub edge to centre of base  | n                               | 500         | 510 mm         |
| Distance between the feet                        | o                               | 700         | 780 mm         |
| Max. width of feet                               | p                               | 390         | 430 mm         |
| Width of rim (foot end)                          | s                               | 55          | 60 mm          |
| Distance between centre holes                    | u                               | 296         | 296 mm         |
| Water volume** in litres                         |                                 | 140         | 200            |
| Anti-slip  |                                 | Ø 288       | Ø 435 mm       |
| Full anti-slip                                   |                                 | 900 x 300   | 900 x 300 mm   |

Subject to technical alterations and tolerances.  
 \*\* 70 litres displacement on average.